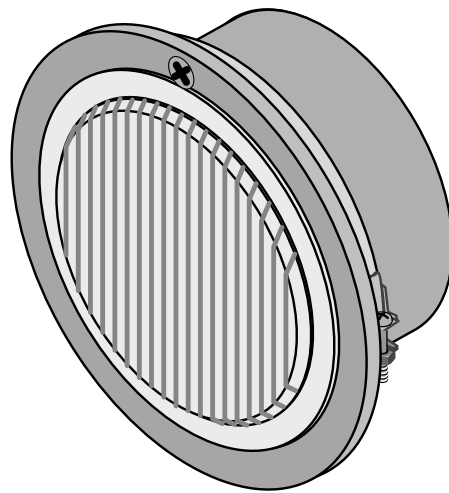


STA-RITE®

Sunbrite™

Large Underwater Pool Lights

O W N E R ' S M A N U A L



INSTALLATION, OPERATION & PARTS



This manual should be furnished to the end user of this light; its use will reduce service calls and chance of injury and will lengthen light life.

Sta-Rite Pool/Spa Group

293 Wright Street, Delavan, WI 53115

International: 262-728-5551, FAX: 262-728-7550

www.starite.com

Union City, TN • Delavan, WI • Mississauga, Ont. • Murrieta, CA

© 2004, Sta-Rite Industries

Printed in U.S.A.

S473 (Rev. 2/9/04)

READ AND FOLLOW SAFETY INSTRUCTIONS!

⚠ This is the safety alert symbol. When you see this symbol in this manual, look for one of the following signal words and be alert to the potential for personal injury.

⚠ DANGER warns about hazards that **will** cause serious personal injury, death or major property damage if ignored.

⚠ WARNING warns about hazards that **can** cause serious personal injury, death or major property damage if ignored.

⚠ CAUTION warns about hazards that **will** or **can** cause minor personal injury or property damage if ignored.

The label **NOTICE** indicates special instructions which are important but not related to hazards.

Carefully read and follow all safety instructions in this manual and on equipment.

End user should save these instructions.

GENERAL SAFETY!

⚠ WARNING **Hazardous voltage.** Incorrectly installed or tested equipment may fail, causing severe injury or property damage. Read and follow instructions in owner's manual when installing and operating equipment. Have a trained pool professional perform all tests.

⚠ WARNING **Risk of electrical shock.** Before removing fixture from pool wall, ALWAYS TURN OFF THE POWER at the breaker.

Install this light and light niche in accordance with Article 680 of the National Electrical Code (NEC), in the United States, or Section 68 of the Canadian Electrical Code (CEC), as applicable, and all local code requirements.

Install an approved Ground Fault Circuit Interrupter in the electrical circuit for this light.

All devices in the system must be directly grounded to a positive electrical ground. All devices in the system must meet all applicable code requirements for bonding.

⚠ CAUTION **Cutting hazard if light is improperly installed.** This light is for use only in commercial and residential swimming pools and spas. It has not been designed, tested, or approved for use in wave pools, lazy rivers, or other waterpark features, and should not be used in them. Use in any application other than a swimming pool or spa may lead to damage to the light and cuts to swimmers and will void the warranty. Sta-Rite will not be responsible for any damages or injuries due to misapplication of this light.

Installation and maintenance of this circuit, and the light, light niche, and any other accessories attached to the circuit, must be performed by a qualified, licensed electrician.

The complete electrical system must be installed, tested, and approved by a qualified, licensed electrician before it is placed in operation.

⚠ WARNING **Burn hazard.** Never operate this light fixture for more than 10 seconds unless it is completely submerged in water. This fixture requires total submersion for cooling.

⚠ WARNING **Breakage hazard.** Install fixture in a vertical pool or spa wall – not in floor. Failure to install the fixture properly could result in personal injury and/or property damage. Do not push off from the poolside against the light.

Except when the fixture is installed in an area of the swimming pool that is not used for swimming and the lens is adequately guarded to keep any person from contacting it, the fixture shall be installed in or on a wall of the pool, with the top of the lens opening not less than 18" below the normal level of the pool.

The junction box must be located:

- at least 4 feet from the perimeter of the pool (unless separated from the pool by a solid fence, wall or other permanent structure,
- at least 8" above maximum water level,
- at least 4" above the deck or ground level.

Junction boxes should be located off the walkway around the pool and given additional protection by installing them next to a fence, building, or other permanent structure. Make sure that the installation is in compliance with local codes and the NEC or the CEC, as applicable.

The improper use of Ozone generators, Chlorine generators, Copper/Silver Ion generators or certain chemicals for water purification may cause damage to the fixture. When such water purification methods are used, be sure to monitor the water conditions. Subjecting the fixture to extreme conditions or harsh environments may cause corrosion and premature failure of the fixture or its components.

INSTALLATION

Sunbrite™ Lamp Housing Installation

(Refer to Figure 2 and the Exploded View on Page 5).

1. Be sure the power is off.
2. Place lamp housing on the deck above the niche. Feed the cord into the niche and through the conduit until the cord reaches the junction box. Make sure that there is enough cord to allow the fixture to be placed on the deck for re-lamping.
3. Make connections in the junction box (be sure to follow code requirements). Connect the supply circuit grounding wire (green, green and yellow, or bare copper) to the green ground conductor from the light fixture. Connect the line supply wire (the black or 'hot' wire) to the black wire from the light fixture. Connect the neutral (white) supply wire to the neutral (white) wire from the light fixture.
4. Wrap the cord around the lamp housing and place the lamp housing in the niche. Be sure the locator tab on the bottom of the lamp housing is in the notch at the bottom of the niche.
5. Fasten the lamp housing into the niche with the captive leader screw at the top of the fixture (use a No. 2 Phillips screwdriver).

NOTICE: The screw in the face ring may be recessed.

Table I

Type of Pool	Allowance of Watts/Sq. Foot of Pool Area
Small Residential Pools (Less than 800 sq. ft.)	1/2 to 1*
Large Public Pools	1 to 1½
Diving Pools (Less than 12 ft. deep)	1½ to 2
Diving Pools (12 to 20 ft. deep)	2 to 3
Competition Pools	2 to 3**

* One 500 watt light at deep end of pool is recommended.

** For competition pools:

1. Make sure that the start/finish ends of lanes are well lighted.
2. Never install lights in end walls at end of swimming lanes. However, if short course racing is provided across width of a 50 meter course, light fixtures may be installed between lanes (under racing lines) on a separate switch.

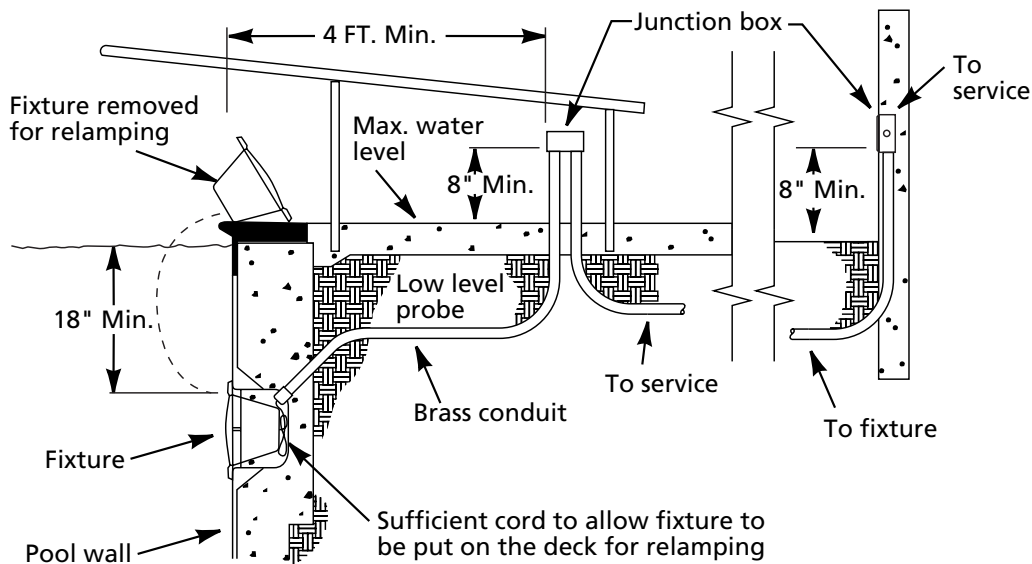


Figure 1 – Lamp Housing Installation

SPECIFICATIONS

Sunbrite™ Large Underwater Lights

U.S. Model	Canada Model	Cord Length in Feet (m)
12 Volts - 100 Watts		
05501-2204	05501-2232	15 (4.5)
05501-2205	05501-2233	30 (9.1)
05501-2206	05501-2234	50 (15.2)
05501-2207	05501-2235	75 (22.8)
05501-2208	05501-2236	100 (30.5)
05501-2209	05501-2237	125 (38.1)
05501-2210	05501-2238	150 (45.7)
12 Volts - 200 Watts		
05501-2211	05501-2239	15 (4.5)
05501-2212	05501-2240	30 (9.1)
05501-2213	05501-2241	50 (15.2)
05501-2214	05501-2242	75 (22.8)
05501-2215	05501-2243	100 (30.5)
05501-2216	05501-2244	125 (38.1)
05501-2217	05501-2245	150 (45.7)
120 Volts - 300 Watts		
05502-1990	05502-2218	15 (4.5)
05502-1991	05502-2219	30 (9.1)
05502-1992	05502-2220	50 (15.2)
05502-1993	05502-2221	75 (22.8)
05502-1994	05502-2222	100 (30.5)
05502-1995	05502-2223	125 (38.1)
05502-1996	05502-2224	150 (45.7)
120 Volts - 500 Watts		
05502-1997	05502-2225	15 (4.5)
05502-1998	05502-2226	30 (9.1)
05502-1999	05502-2227	50 (15.2)
05502-2200	05502-2228	75 (22.8)
05502-2201	05502-2229	100 (30.5)
05502-2202	05502-2230	125 (38.1)
05502-2203	05502-2231	150 (45.7)

MAINTENANCE

▲WARNING **Electrical shock hazard.** Before removing fixture from pool wall, ALWAYS TURN OFF THE POWER at the breaker. Installation and maintenance of this circuit, the light, light niche, and any other accessories attached to this circuit must be performed by a licensed electrician. The complete electrical system must be installed, tested, and approved by a licensed electrician before it is placed in operation.

▲WARNING **Risk of cuts, burns, and electrical shock.** Avoid direct impacts on glass lens. Do not install damaged or broken lens.

For Sunbrite™ Lamps

See Figure 2, Page 5, for Key numbers.

1. Be sure that the power is off. Allow the lamp to cool before re-lamping.
2. Loosen the captive leader screw (Key No. 1) from the top of the fixture face ring (Key No. 2)

NOTICE: The screw in the face ring may be recessed.
3. Remove the lamp housing (Key No. 6) and place on the pool deck.
4. Using a clean soft lint free cloth, carefully wipe all sealing surfaces on the lamp housing and lens. Replace lamp with an equivalent to the original lamp.
5. Replace the gasket (Key No. 4).
6. To reassemble the lens assembly to the lamp housing, reverse the disassembly process. Be sure that the lamp housing is clean, dry, and free of all traces of moisture, before sealing the fixture.
7. Wind the extra cord around the lamp housing and place the lamp housing back in the niche. Be sure to align the locator tab at the bottom of the lamp housing with the notch in the bottom of the niche.
8. Fasten the lamp housing into the niche using the captive leader screw (Key No. 1) at the top of the trim ring.

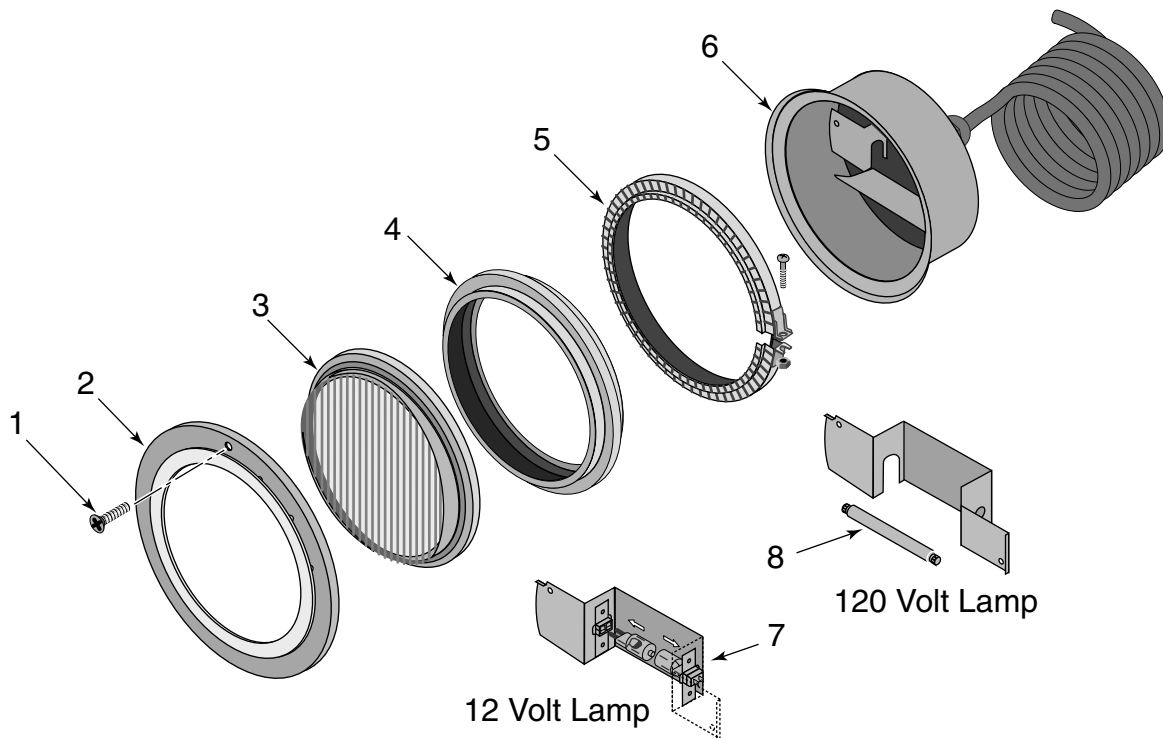


Figure 2 - Replacement Parts Sunbrite™ Lamps Exploded View

REPAIR PARTS LIST – SUNBRITE™ LAMPS

Key No.	Part Description	Qty.	05501-2204 – 2210 and 05501-2232 – 2238 12V, 100W	05501-2211 – 2217 and 05501-2239 – 2245 12V, 200W	05502-1990 – 1996 and 05502-2218 – 2224 120V, 300W	05502-1997 – 2203 and 05502-2225 – 2231 120V, 500W
1	Leader Screw	1	05101-0004	05101-0004	05101-0004	05101-0004
2	Stainless Steel Face Ring Assembly	1	05501-0002	05501-0002	05501-0002	05501-0002
3	Clear Lens	1	34620-0003	34620-0003	34620-0003	34620-0003
4	Lens Gasket	1	05501-0001	05501-0001	05501-0001	05501-0001
5	Clamp Assembly	1	05501-0003	05501-0003	05501-0003	05501-0003
6	Lamp Housing	1	†	†	†	†
7	50W, 12V, R40 Lamp Use 2 for 100W	1	34600-0016	–	–	–
7	100W, 12V, R40 Lamp Use 2 for 200W	1	34600-0017	34600-0017	–	–
8	300W, 120V, R40 Lamp	1	–	–	34600-0018	–
8	500W, 120V, R40 Lamp	1	–	–	–	34600-0019
•	Large Popover – Blue	1	34627-6005	34627-6005	34627-6005	34627-6005
•	Large Popover – Red	1	34627-6007	34627-6007	34627-6007	34627-6007
•	Replacement Screw Kit	1	05601-0101	05601-0101	05601-0101	05601-0101
•	Rubber Retainer for Lead Screw	1	05101-0005	05101-0005	05101-0005	05101-0005

† Not sold separately

• Not illustrated

STA-RITE LIMITED WARRANTY

Pumps, filters, skimmers, underwater lights (except bulbs), accessories and fittings manufactured by Sta-Rite are warranted to be free of defects in material and workmanship for one (1) year from date of installation.

Product specific warranties: **Year from date of installation**

<i>HRPB, DEPB, System 3, System 2 and Posi-Clear</i>	
Tanks	10 years
Internal filter components and valves	1 year
<i>Max-E-Therm - Pool/Spa Heaters</i>	
Heater Enclosure only (Upper RH & LH; lower enclosure; and control board enclosure)...	10 years
<i>Automatic Pool Cleaners including Hose</i>	
	2 years
<i>Cristal-Flo filters - Tanks</i>	
Valve and internal components.	1 year
<i>Posi-Flo II - Tanks</i>	
Elements	1 year
<i>PRC Cartridge -</i>	
Filter Tanks	5 years pro-rated (1st 2 years full)
Elements	1 year
<i>System 2 Above Ground Systems - Tanks</i>	
Pumps / Platform and Internals	1 year
<i>Pumps</i>	
When equipped with A.O. Smith 2-compartment motors (Does not include pumps sold as part of a systems package)	2 years
<i>Traps / In-Line Strainers</i>	
	1 year
<i>Vertical Commercial Filter - Tanks</i>	
Internals	1 year
<i>Horizontal Commercial Filter</i>	
Tanks	5 years
(Years 6-9, Prorated declining 20%/year, Yr. 10 - 10%)	
Internals	1 year

* Full warranty coverage is in effect for one year after installation. The pro-rated warranty covers the *tank only* during the 2nd through 10th year after installation. The amount covered decreases by 10% each year. (ie., 2nd year 90% covered, 3rd year 80% covered, etc.).

The foregoing warranties relate to the original consumer purchaser ("Purchaser") only. Sta-Rite shall have the option to repair or replace the defective product, at its sole discretion. Purchasers must pay all labor and shipping charges necessary to replace the product covered by this warranty. Requests for warranty service must be made through the installing dealer. This warranty shall not apply to any product that has been subject to negligence, misapplication, improper installation or maintenance, or other circumstances which are not in Sta-Rite's direct control.

This warranty sets forth Sta-Rite's sole obligation and Purchaser's exclusive remedy for defective products.

STA-RITE SHALL NOT BE LIABLE FOR ANY CONSEQUENTIAL, INCIDENTAL OR CONTINGENT DAMAGES WHATSOEVER.

THE FOREGOING WARRANTIES ARE EXCLUSIVE AND IN LIEU OF ALL OTHER EXPRESS WARRANTIES. IMPLIED WARRANTIES, INCLUDING BUT NOT LIMITED TO THE IMPLIED WARRANTIES OF MERCHANTABILITY AND FITNESS FOR A PARTICULAR PURPOSE, SHALL NOT EXTEND BEYOND THE DURATION OF THE APPLICABLE EXPRESS WARRANTIES PROVIDED HEREIN.

Some states do not allow the exclusion or limitation of incidental or consequential damages or limitations on how long an implied warranty lasts, so the above limitations or exclusion may not apply to you. This warranty gives you specific legal rights and you may also have other rights which vary from state to state.

Supersedes all previous publications.

Sta-Rite Industries
293 Wright St., Delavan, WI 53115

▲ Retain Warranty Certificate (upper portion) in a safe and convenient location for your records.

▼ DETACH HERE: Fill out bottom portion completely and mail within 10 days of purchase/installation to:
Sta-Rite, Attn: Warranty Dept., 293 Wright St., Delavan, WI 53115

STA-RITE®

Warranty Registration Card

Name _____

Years pool has been in service less than 1 1-3 3-5 5-10 _____

Address _____

Purchased from:
Company name _____

City _____ State _____ Zip _____

Address _____

Purchase Date _____

City _____ State _____ Zip _____

Product Purchased _____

New installation Replacement

Please send me more information on these other products from Sta-Rite.

Type of Pool Inground Vinyl Fiberglass Gunite

Pumps Filters Automatic Pool Cleaners
 Maintenance Equipment Test Strips
 Heaters

Size of Pool _____